



# Standard Test Method for Hot-Surface Performance of High-Temperature Thermal Insulation<sup>1</sup>

This standard is issued under the fixed designation C 411; the number immediately following the designation indicates the year of original adoption or, in the case of revision, the year of last revision. A number in parentheses indicates the year of last reapproval. A superscript epsilon ( $\epsilon$ ) indicates an editorial change since the last revision or reapproval.

## 1. Scope

1.1 This test method covers the determination of the performance of commercial sizes of both block and pipe forms of thermal insulating materials when exposed to simulated hot-surface application conditions. The term “hot-surface performance” has reference to a simulated use-temperature test in which the heated testing surface is in a horizontal position.

1.2 This test method refers primarily to high-temperature insulations that are applicable to hot-side temperatures in excess of 200°F (93°C). It may be used for materials such as preformed insulations, insulating cements, blankets, etc., by proper laboratory preparation of the samples.

1.3 The values stated in inch-pound units are to be regarded as the standard. The values given in parentheses are for information only.

1.4 *This standard does not purport to address all of the safety concerns, if any, associated with its use. It is the responsibility of the user of this standard to establish appropriate safety and health practices and determine the applicability of regulatory limitations prior to use.*

## 2. Referenced Documents

### 2.1 ASTM Standards:

C 168 Terminology Relating to Thermal Insulating Materials<sup>2</sup>

## 3. Terminology

3.1 *Definitions*—Terminology C 168 shall apply to the terms used in this test method.

## 4. Significance and Use

4.1 Performance in service is the final measure of value for a thermal insulation, but simulative service tests may give useful indications. One type involves application for a specified time to a surface heated at a temperature approximately that of intended service, and noting during the test and afterward, changes in the material and its properties. Measurement of these changes may be used for predicting what may

occur in service as a result of exposure to temperatures corresponding to those of the tests.

## 5. Apparatus

5.1 *Heating Plate*—The heating plate shall consist of a corrosion-resistant and heat-resistant plate with a preferred exposed test area of 36 by 18 in. (914 by 457 mm), but having a minimum test area of 18 by 18 in. (457 by 457 mm). The heated area shall have an insulated, heated guard area having a minimum width of 3 in. (76 mm) around the entire periphery of the test area. The plate shall be supported in a horizontal plane at a sufficient number of points to prevent sagging. It shall be heated on the under side by gas or electricity. The surface temperature of the plate shall be measured by not less than five thermocouples. Four of the thermocouples shall be located along the diagonals that extend from the corners of the exposed area of the plate and at a distance of 6 in. (152 mm) in from each corner. A fifth thermocouple shall be located near the center of the test plate area. The temperature at no point of measurement shall vary more than  $\pm 5\%$  or  $\pm 25^\circ\text{F}$  ( $\pm 14^\circ\text{C}$ ), whichever is less, from the desired temperature. A heating chamber beneath the heating plate shall be formed to retain the heat generated by the heating means. A 6-in. thickness of insulation shall form the bottom and the sides, and the heating plate shall form the top of the chamber. Two suitable types of heating plates are shown in Fig. 1 and Fig. 2.

5.2 *Heating Pipe*—The heating pipe shall consist of a corrosion-resistant and heat-resistant pipe having a length of not less than 3 ft (0.9 m) and preferably 6 ft 6 in. (1.98 m). It shall be supported horizontally. The nominal diameter of the pipe shall preferably be 3 in. (76 mm). The pipe shall be heated electrically with a spiral heating coil placed along the inside of the pipe. Supplementary end heaters, and a guard section at least 3 in. long of the same insulation as that being placed on the test section, shall also be provided to guard against excessive losses from the ends of the test specimen. (Where possible, the use of standard thermal conductivity pipe test apparatus to serve as the heating pipe is recommended.) The surface temperature of the pipe shall be measured by means of thermocouples, not less than one for each 1 ft (0.3 m) of length of the test specimen, and located spirally around the pipe at 90° intervals. The test portion of the pipe shall be that area under a full length of a pipe insulation undergoing test. The temperature at any point of measurement on the test portion shall not

<sup>1</sup> This test method is under the jurisdiction of ASTM Committee C-16 on Thermal Insulation and is the direct responsibility of Subcommittee C16.31 on Chemical and Physical Properties.

Current edition approved May 10, 1997. Published August 1997. Originally published as C 411 – 58 T. Last previous edition C 411 – 82 (1992)<sup>\epsilon</sup>1.

<sup>2</sup> *Annual Book of ASTM Standards*, Vol 04.06.

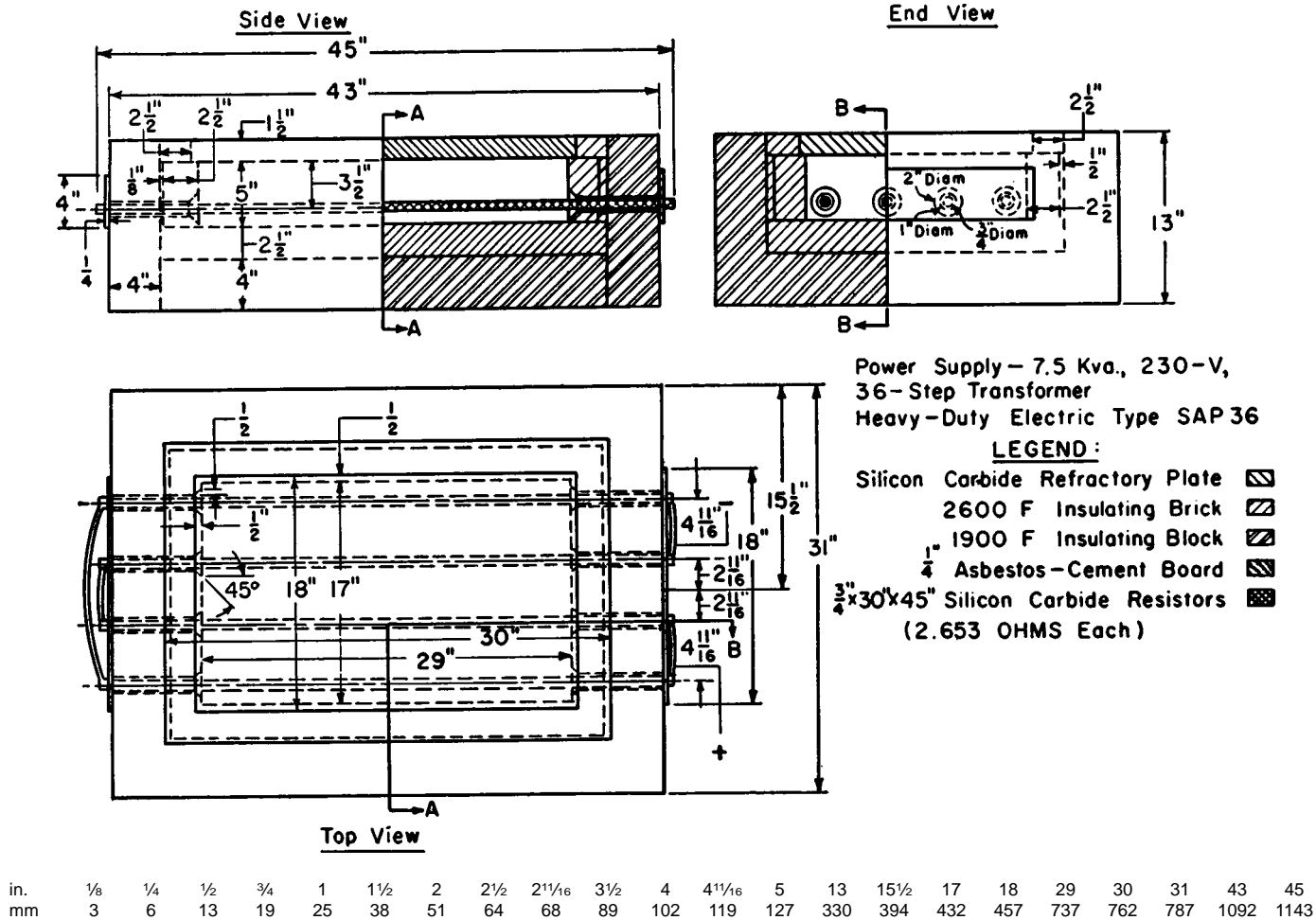


FIG. 1 Type A Heating Plate for Hot-Surface Performance Test

vary more than  $\pm 5\%$  or  $\pm 25^\circ\text{F}$  ( $\pm 14^\circ\text{C}$ ), whichever is less, from the desired temperature.

**5.3 Temperature Measurement**—Thermocouples shall be used to measure the surface temperature of the heating plate and the heating pipe. They shall be applied either by peening the individual wires into small holes drilled into the surface and separated by not more than  $\frac{1}{8}$  in. (3 mm) or by joining the wires with a welded bead and cementing them in grooves with the bead tangent to the surface but not projecting above it. The thermocouples shall be made from wires having a size not greater than No. 22 Awg (0.644 mm), and preferably not larger than No. 26 Awg (0.405 mm). The combination of the thermocouple and measuring instrument used shall ensure an accuracy of temperature measurement of  $\pm 1\%$ .

**NOTE 1**—This may require different thermocouples and measuring instruments for high-temperature tests than for moderate-temperature tests.

**5.4 Straightedge and Rule**—A straightedge having a length of at least 36 in. (0.9 m) and a small rule divided in  $\frac{1}{64}$  or  $\frac{1}{10}$  of 1 in. shall be used to determine warpage.

## 6. Sampling and Preparation of Test Specimens

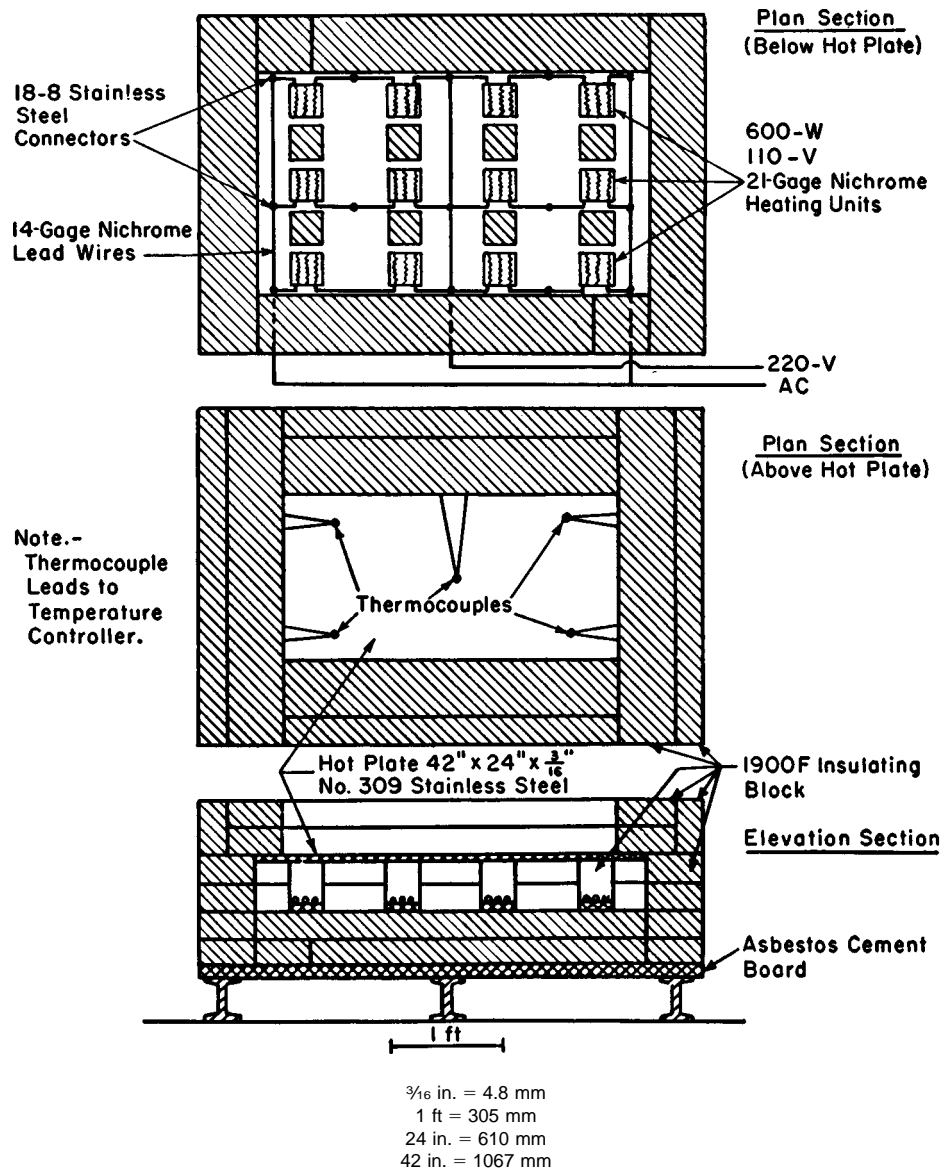
**6.1** All samples that will be required to complete the tests shall be selected at one time and in such a manner so as to be

fully representative of the average of the material. Test specimens for any one test condition shall be selected from the original sample lot so as to be as representative as possible. The test specimens shall be commercial pieces. For pipe insulation, the full-size, commercial pipe sections shall be selected. Any diameter pipe insulation for which equipment is available may be tested. However, only pipe insulation of 3-in. (76-mm) nominal inside diameter need to be tested.

## 7. Procedure

**7.1** Use the heating plate for testing the flat or block form of insulation. Use the heating pipe for pipe insulation. The thickness of the layers in multilayer insulation and the total thickness of insulation applied to the hot surface for a test shall be that recommended by the manufacturer for the temperature of the hot surface in question, or as agreed between the manufacturer and the purchaser. When multi-layer applications are to be tested, stagger each joint between adjacent test pieces in the same layer with respect to the joint in the next layer. Equally dispose about that joint the test piece in the next layer that covers a joint of the preceding layer.

**7.2 Assembly of Specimen on Heating Plate**—Specimens for testing on a heating plate shall be 6 by 18 in. (152 by 457 mm) with the thickness as described in 7.1. Check each block



NOTE 1—Thermocouple leads to temperature controller.

FIG. 2 Type B Heating Plate for Hot-Surface Performance Test

for flatness and measure and record any initial warpage. Cover the test area of the heating plate with the test blocks. If any blocks have initial warpage, place the concave face toward the hot side. Apply additional layers to the first layers when necessary to give the total required thickness.

7.3 *Assembly of Specimen on Heating Pipe*—Apply a full length of pipe insulation to the test pipe. If the test pipe is longer than the specimen, the latter can advantageously be centered on the pipe and the ends covered with sawed lengths of the insulation being tested so as to help guard the full length specimen from end losses. The thickness of the test specimen shall be as required in 7.1. Apply additional layers of insulation as necessary to give the required total thickness. Apply the various layers of insulation and secure tightly around the pipe by the usual recommended practice.

7.4 Start the test with the heating surface (plate or pipe) at room temperature. Employ a heating rate consistent with the

use for which the material is intended. During the heating period, make qualitative observations to detect visible evidence of flaming, glowing, smoldering, and smoking. After the hot surface has reached the desired test temperature, begin a period of exposure of 96 h. At the completion of the test period, turn off the source of heat and allow the assembly to cool to about room temperature before any specimens are removed.

NOTE 2—Ambient conditions on the exposed surface of the test insulation shall be at room temperature.

7.5 After test, examine the specimens very carefully to detect any tendency toward cracking. Note the number of cracks and the extent or depth of cracking. Also note any tendency toward delamination. Record other discernible changes, such as any evidence of flaming, glowing, smoldering, or smoking that can be observed by visual inspection. In addition, measure the block or pipe specimens for warpage by

placing a straightedge along the length of the block or pipe and measuring the maximum warpage at the center of the specimen with a steel rule.

## 8. Calculation

8.1 Calculate the amount of warpage due to heating as follows:

$$W = W_2 - W_1 \quad (1)$$

where:

$W$  = warpage developed during the test, in in. (or mm), (measured in accordance with 7.5),

$W_1$  = initial measured warpage, in in. (or mm), and

$W_2$  = final measured warpage, in in. (or mm).

## 9. Report

9.1 Report the following information:

9.1.1 Name and any other identification of the material tested,

9.1.2 Kind of insulation tested, sectional, segmental, or block,

9.1.3 Number of layers of insulation applied,

9.1.4 Size and thickness of each layer,

9.1.5 Details of application,

9.1.6 Temperature of test,

9.1.7 Warpage,

9.1.8 Extent of cracking,

9.1.9 Amount of delamination,

9.1.10 Amount of sagging away from the pipe (pipe insulation),

9.1.11 Decrease in thickness along the top of the pipe (pipe insulation),

9.1.12 Other visible changes, and

9.1.13 Any evidence of flaming, glowing, smoldering, smoking, etc.

## 10. Precision and Bias

10.1 *Precision and Bias*—It is not possible to specify the precision of the warpage measurement because data is not available. A task group formed in October 1996 is conducting a round-robin to determine precision.

## 11. Keywords

11.1 cracking; delamination; high temperature insulation; hot-surface performance; temperature tests; thermal insulating materials; warpage

*The American Society for Testing and Materials takes no position respecting the validity of any patent rights asserted in connection with any item mentioned in this standard. Users of this standard are expressly advised that determination of the validity of any such patent rights, and the risk of infringement of such rights, are entirely their own responsibility.*

*This standard is subject to revision at any time by the responsible technical committee and must be reviewed every five years and if not revised, either reapproved or withdrawn. Your comments are invited either for revision of this standard or for additional standards and should be addressed to ASTM Headquarters. Your comments will receive careful consideration at a meeting of the responsible technical committee, which you may attend. If you feel that your comments have not received a fair hearing you should make your views known to the ASTM Committee on Standards, 100 Barr Harbor Drive, West Conshohocken, PA 19428.*